



V77E

Bill Acceptor

Installation Guide

Use of Materials Limitations

International Currency Technologies Corporation (ICT) all rights reserved.

All materials contained are the copyrighted property of ICT.

All trademarks, service marks, and trade names are proprietary to ICT.

ICT reserves the right at all times to disclose or to modify any information as ICT deems necessary to satisfy any applicable law, regulation, legal process or governmental request, or to edit, refuse to post or to remove any information or materials, in whole or in part, in ICT's sole discretion.

❖ Contents

1. Introduction	1
1-1. Overview	1
1-2. Features	1
2. Specifications	1
General	1
Electrical	2
Mechanical	2
3. Packing List	2
4. Dimension	3
5. Installation	4
5-1. Harness Application	4
5-1-1. I/O Circuit	13
5-2. DIP Switch Setting	17
5-3. Software Download and Upgrade	17
6. Maintenance	18
7. Troubleshooting	19
7-1. Bezel LED Errors	19
7-2. Back LED Errors	20

1. Introduction

1-1. Overview

V77E is a bill acceptor which features a double-lock bill box for high security with acceptance rate up to 96% or even greater.

1-2. Features

- Four way bill insertion acceptance.
- Auto-calibrating.
- Win 98/XP compatible USB interface available.
- Secure double-lock removable bill box available in 1000 bill capacity.
- USB online upgrade firmware function.

2. Specifications

General

Acceptance Rate 96% or greater

Note: The incomplete bills such as extremely dirty, wet, broken or wrinkled ones are excluded.

Bill Insertion Four-way acceptable

Transaction Speed Approx. 3 seconds to stack

Interface Pulse, ICT Protocol <TTL RS232>, MDB, ICT Protocol <USB (Optional)>, CCNET, Parallel(GPT)
* Combination is possible ex:Pulse+MDB.

Installation Indoor & Outdoor

Bill Accepted Width

Bezel-(Up Stacker) - 62~77mm
(Down Stacker)- 62~77mm
<62~66mm (Insert bills from bezel center)>

Electrical

Power Source

12V DC (10.8~13.2 V DC)
24V AC (21.6~26.4 V AC)
34V DC (20V~42.5 V DC)

Power Consumption

12V- Standby : 3.6 W
Operation: 21.6 W
Maximum: 30 W

Operation Environment

Operation Temperature: -10°C~55°C
Storage Temperature: -30°C~70°C
Humidity: 30%~85%RH(no condensation)

Mechanical

Outline Dimension

See Page.3

Bill Capacity

Approx. 1000 bills (950~1050)

Weight

Approx. 1.7kg (Bill Box Included)

Lock Type

Tubular lock,
Padlock (Optional/ Ø5.0~6.0mm)

3. Packing List

Main

Bill Acceptor

Accessory

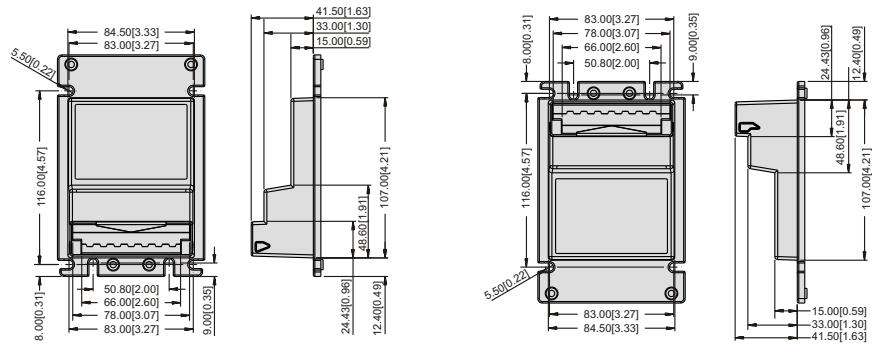
Harnesses: see 5-1
V77E Installation Guide
V77E DIP Switch Setting Guide
A Pair of Keys

4. Dimension

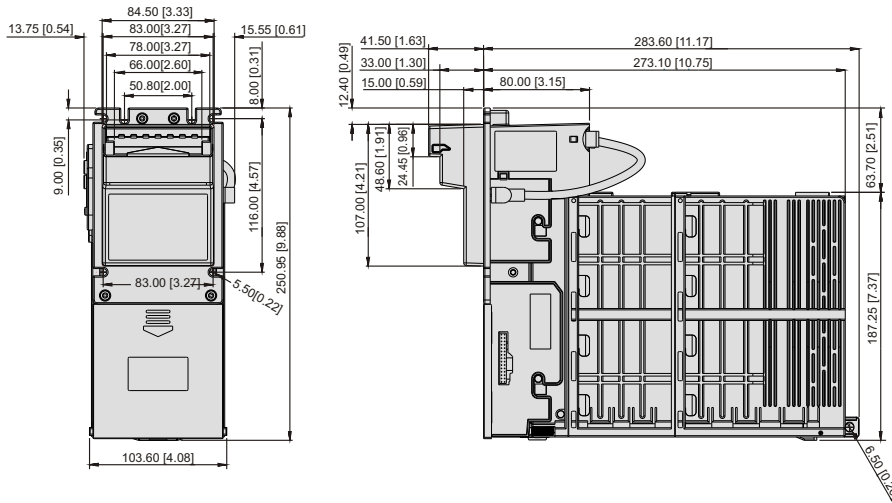
Bezel-
(Up Stacker)

(Down Stacker)

Figure 1



Unit : mm [inch]



Unit : mm [inch]

5. Installation

5-1. Harness Application

Table 1

Interface	Used Voltage	Usage	Harness	Page	
Pulse	12V DC	Power & *Data Comm.	WEL-RV701	5	
		Extension Wire	CU-R961-1	6	
	24V AC	Extension Wire	WEL-RV702	7	
		Power & Data Comm.	WEL-RV703	8	
MDB	34V DC	Power & Data Comm.	WEL-RM006	9	
ICT Protocol	RS232	5V to ±12V	Power	WEL-RV701	5
		5V to ±12V	Data Comm.	WEL-RV706	10
	USB	N/A	Power & Data Comm.	WEL-RU1180 (optional)	11
CCNET	RS232	5V to ±12V	Power	WEL-RV701	5
			Data Comm.	WEL-RV706	10
Parallel(GPT)	24V AC	Power & Data Comm.	** 5RBG-AA203L1-XX	12	

*Data Comm. : Data Communication.

**5RBG-AA203L1-xx : Plug-in Box & Cables, "xx" varies from version to version.

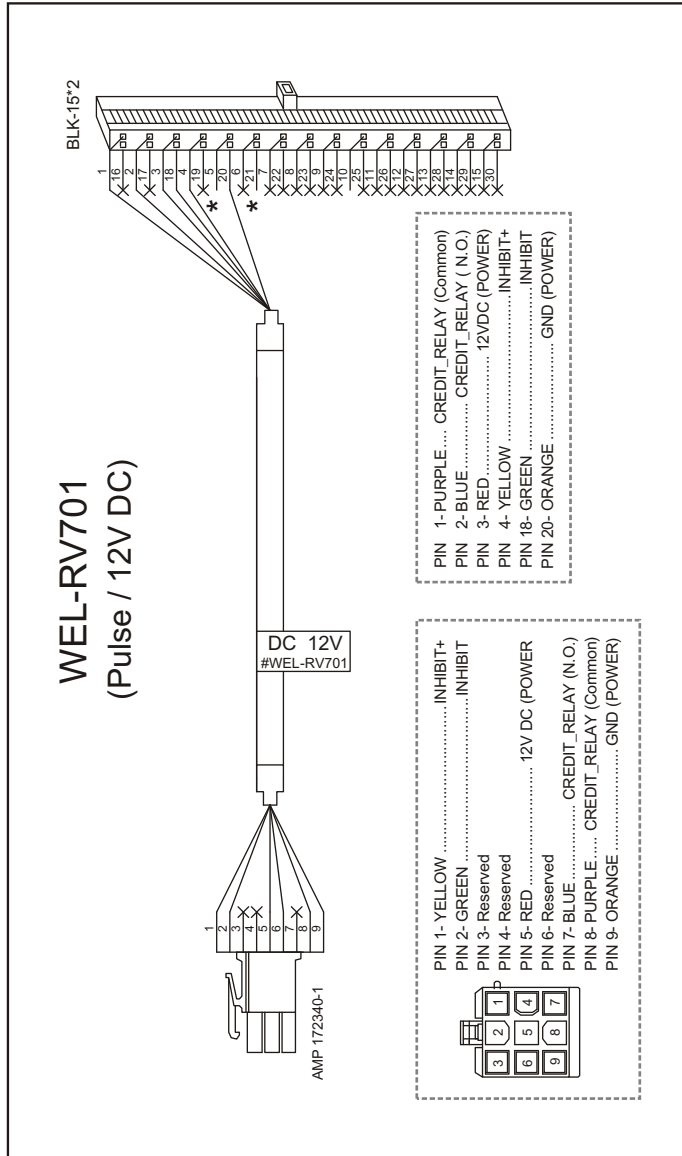


Figure 2

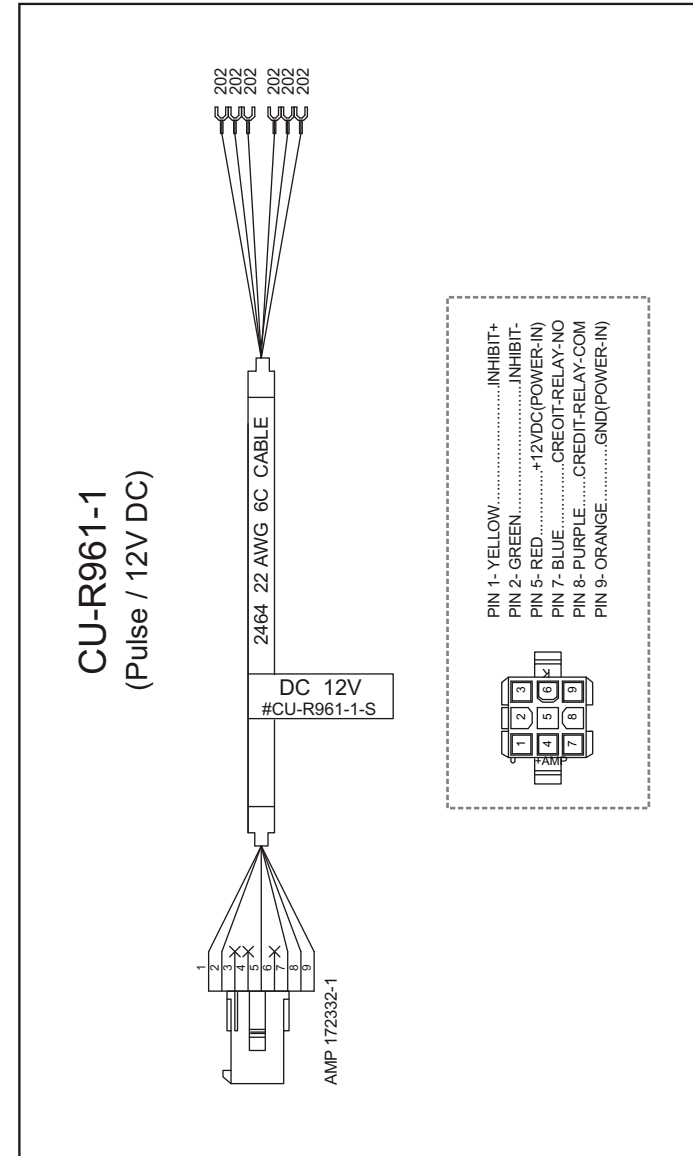


Figure 3

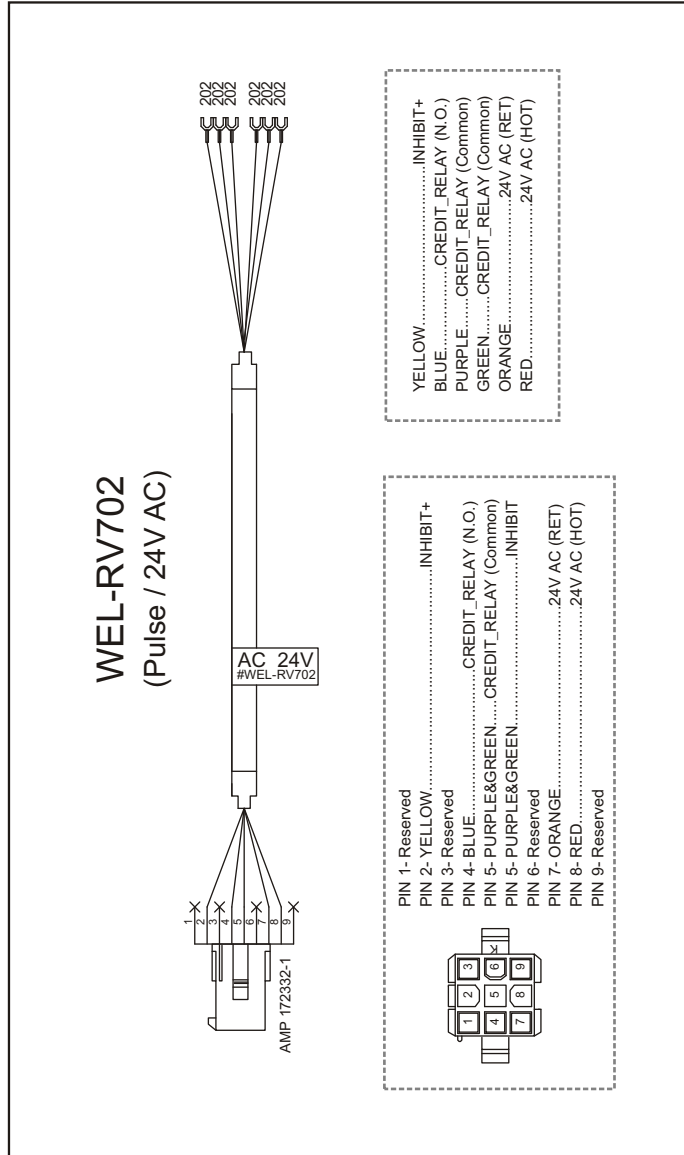


Figure 4

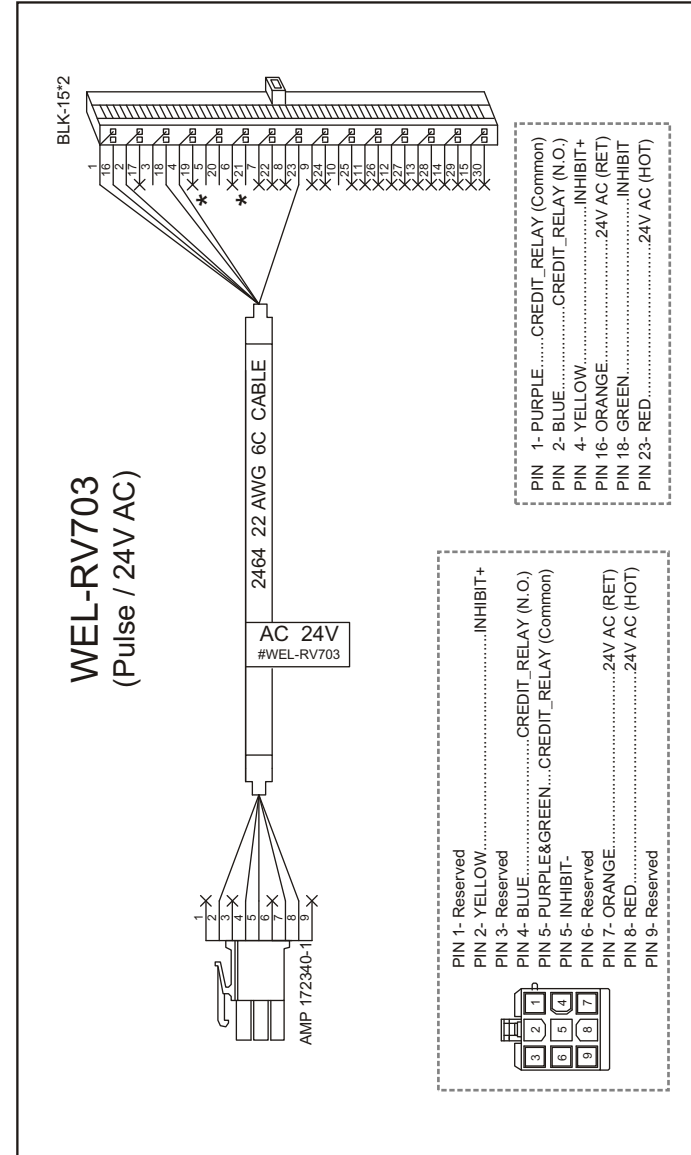


Figure 5

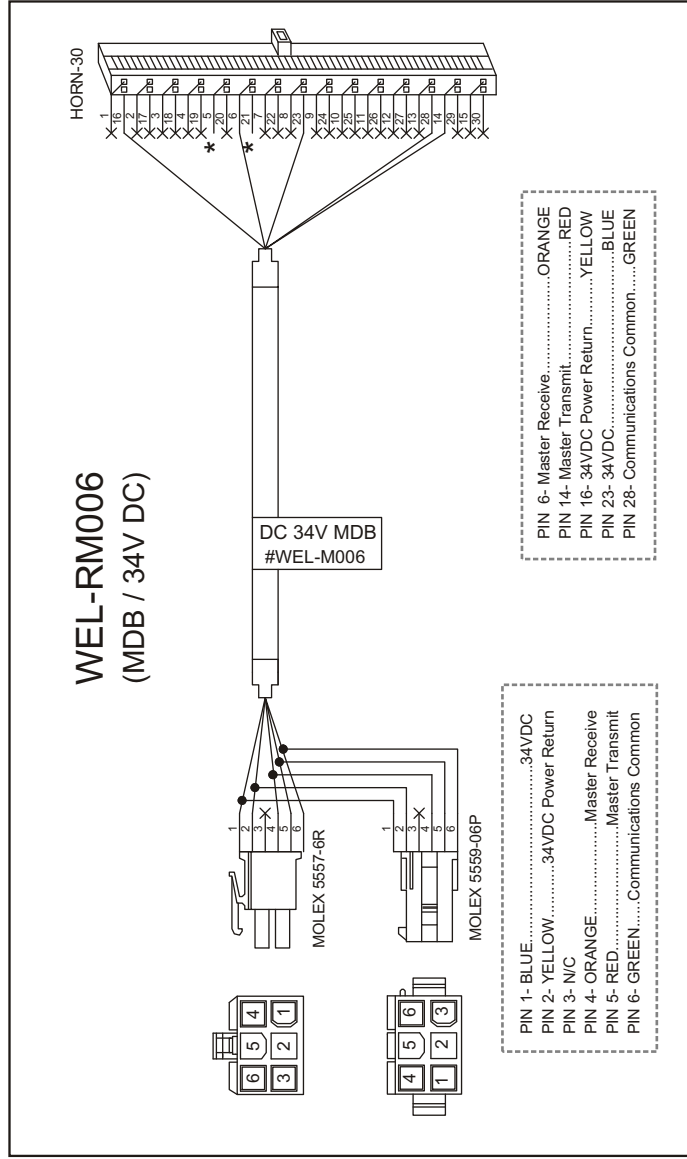


Figure 6

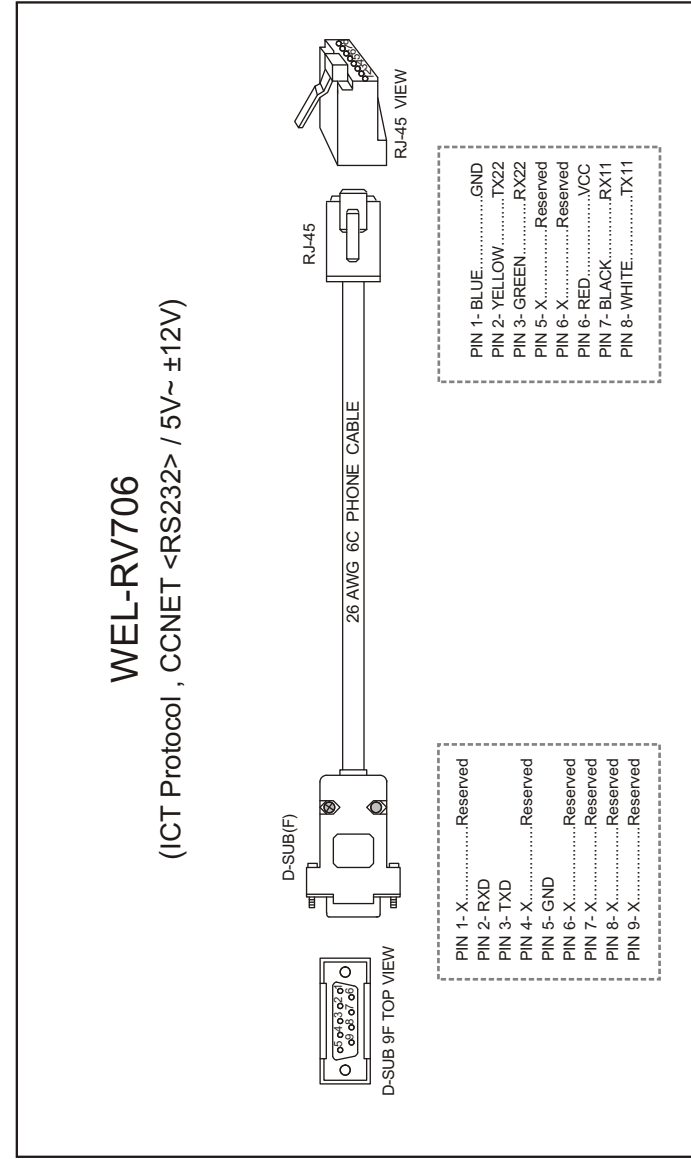


Figure 7

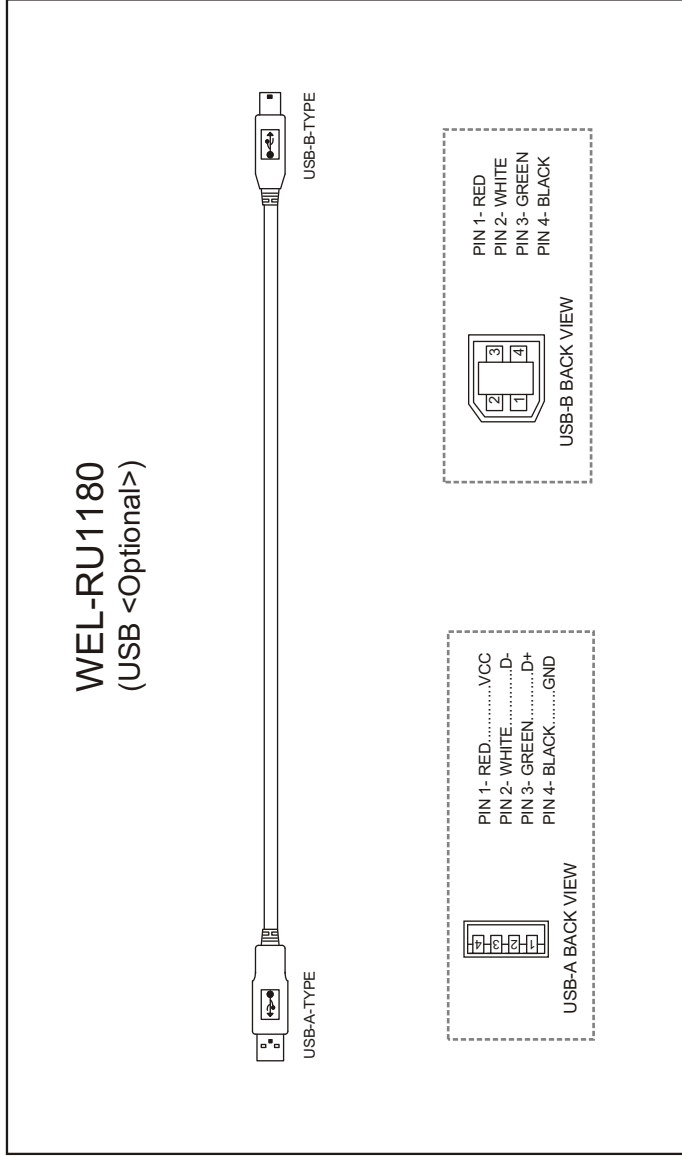


Figure 8

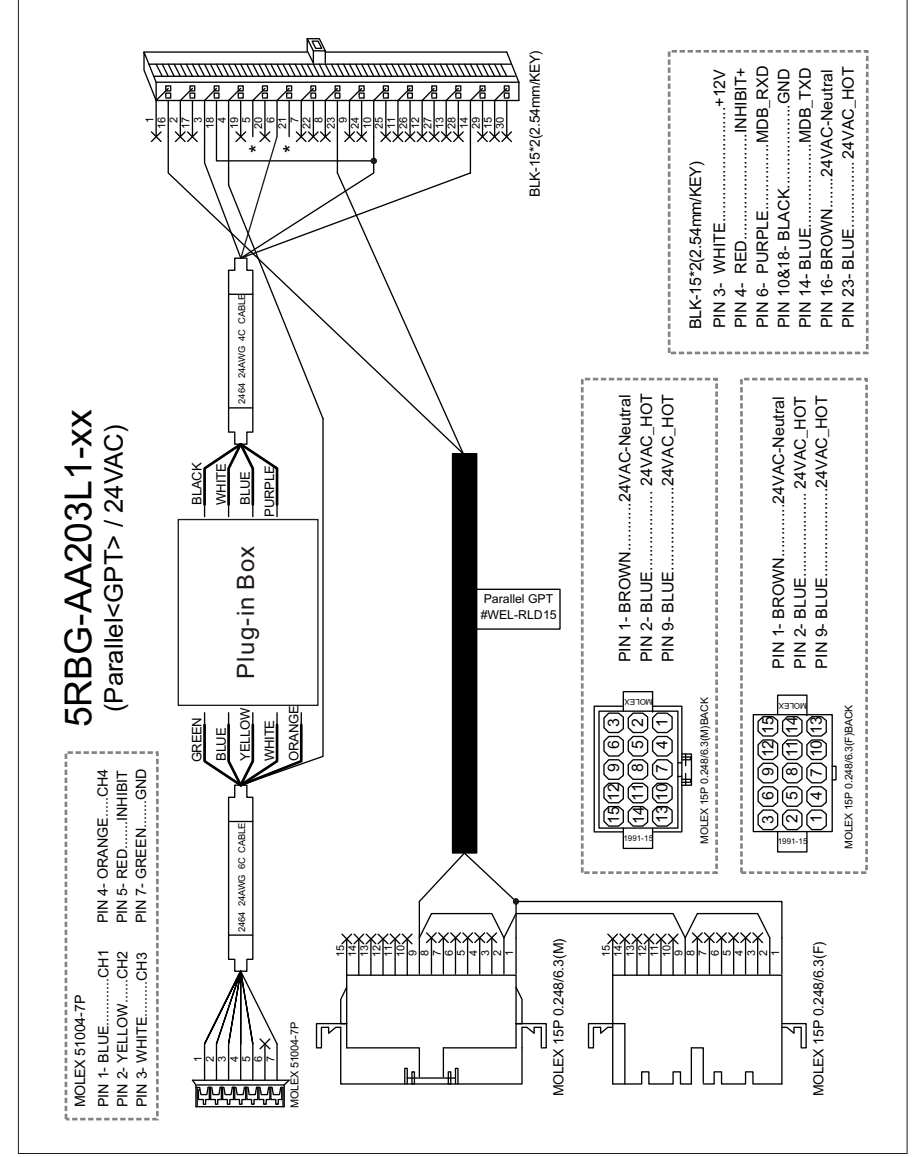
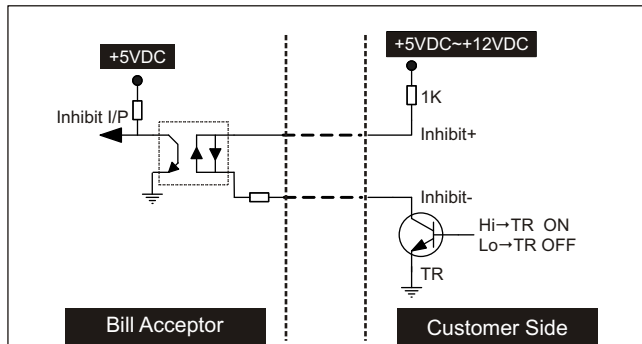
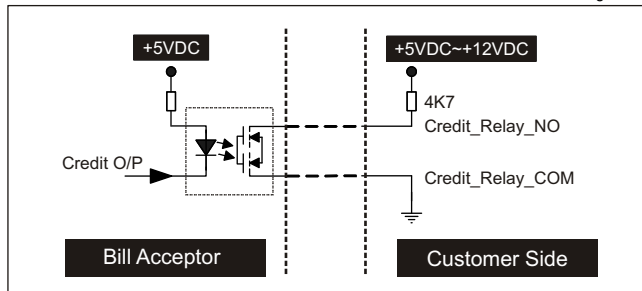


Figure 9

5-1-1. I/O Circuit

Pulse Interface.

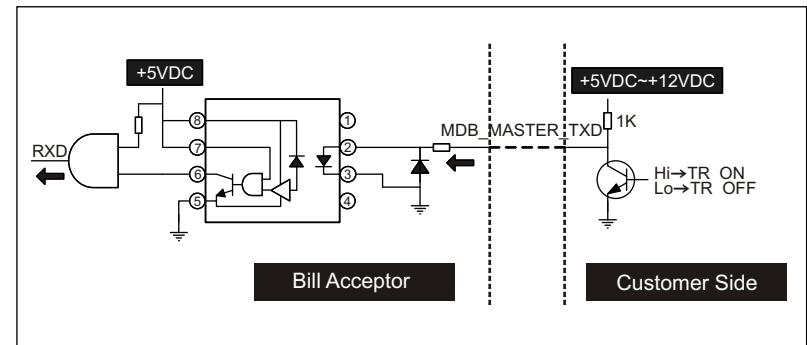
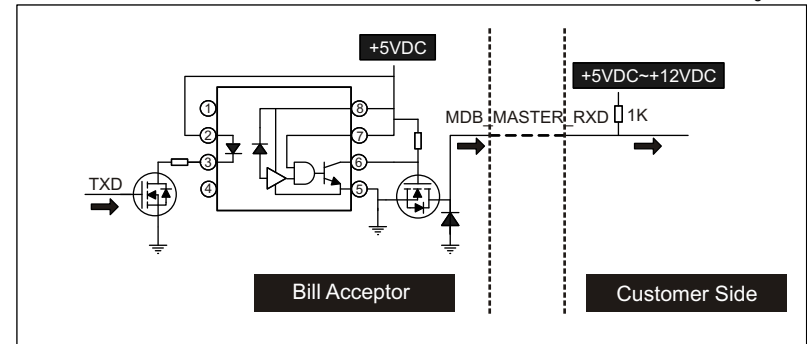
Figure 10



BA Status	DIP SW Setting		Control Signal
Inhibit	Inhibit Active	Low	Low
		High	High
Enable	Inhibit Active	Low	High
		High	Low

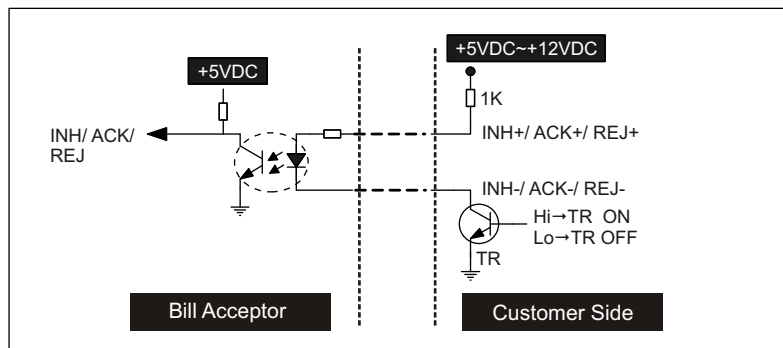
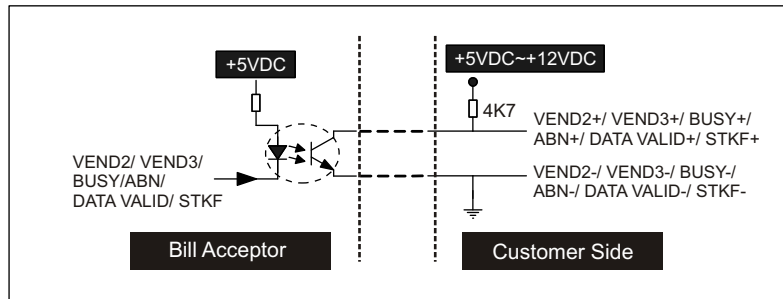
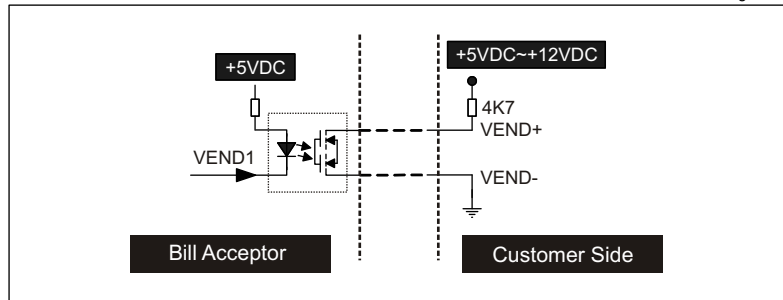
MDB Interface

Figure 11



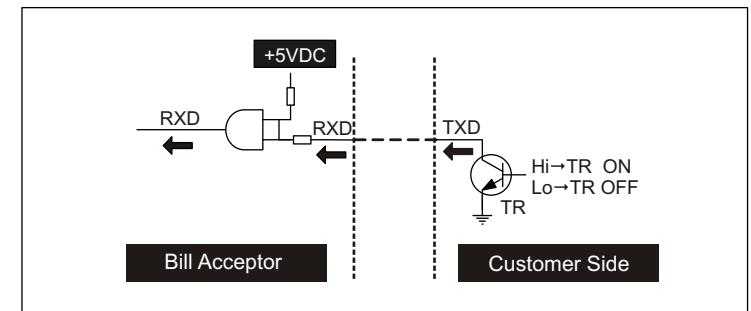
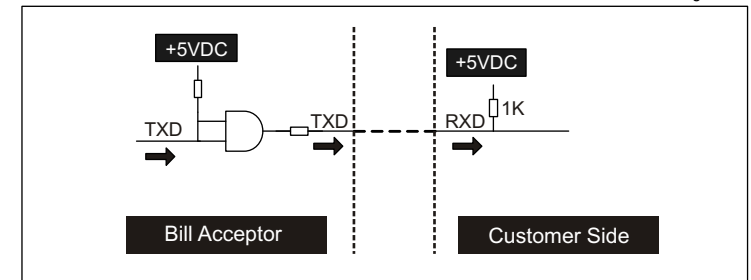
Parallel Interface.

Figure 12



ICT-Protocol Interface.

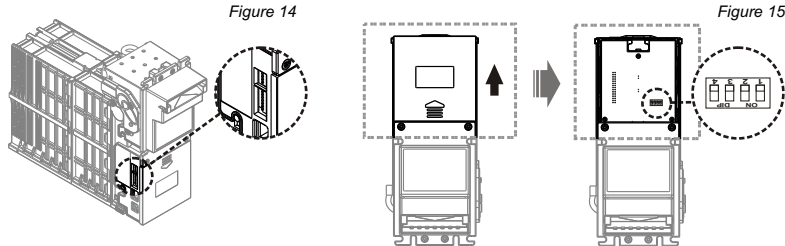
Figure 13



5-2. DIP Switch Setting

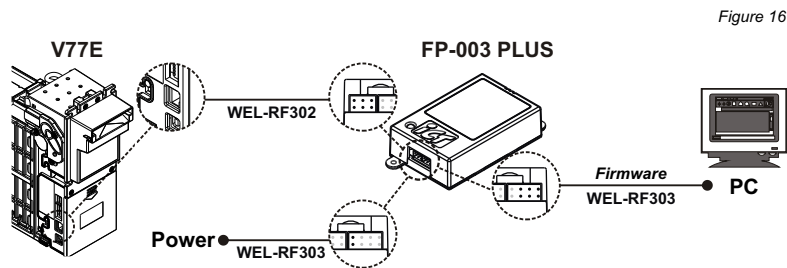
There are two serial DIP switches which are located on the side of V77E (as figure 14). According to different currencies which are used by users, DIP switch settings could be varied to fit users' need. Besides, there's also a serial DIP switches on CPU board inside of V77E for interface settings (as figure 15).

Please refer to "V77E Series DIP Switch Setting" Guide in the package for more detail.



5-3. Software Download and Upgrade

To download and upgrade the software to V77E, the programmer (FP-003 PLUS) is needed. Please contact ICT to purchase FP-003 PLUS and refer to FP-003 PLUS user guide for software download and upgrade information.



Power must be applied to BA AFTER connecting.

6. Maintenance

To make sure the bill acceptor always works smoothly, please clean the internal parts regularly.

To clean the internal parts:

1. Press the buttons on the sides of bill path unit and pull the unit out (as figure 17).

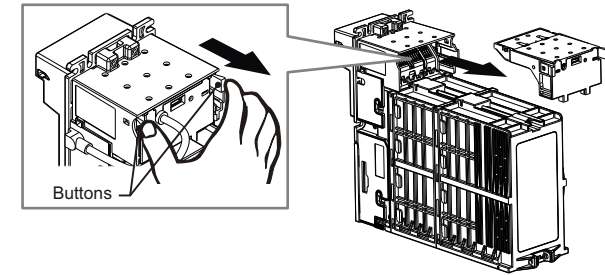


Figure 17

2. Use a soft, dry cloth or towel to clean the bill path and sensors (as figure 18).

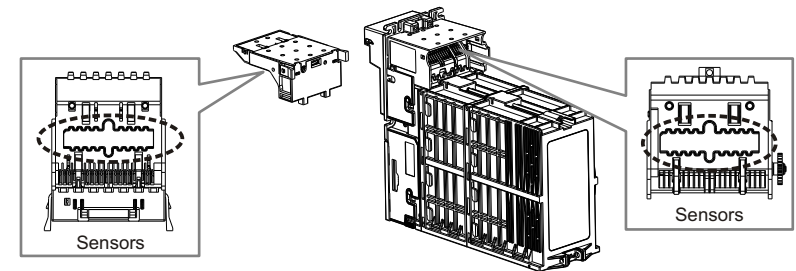


Figure 18

	OK	Mild, non-abrasive, soap water.
	DO NOT USE	Organic solvent, Alcohol, Volatility liquid

7. Troubleshooting

7-1. Bezel LED Errors

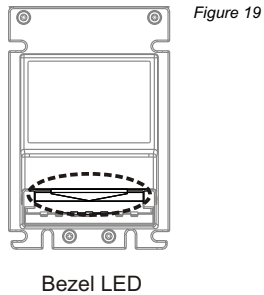


Table 2

LED Flashes	Status	Corrective Actions
Colorful	Bill Acceptor is normal.	N/A
Red	Bill Acceptor error.	Check the back LED flash (see 7-2).

7-2. Back LED Errors

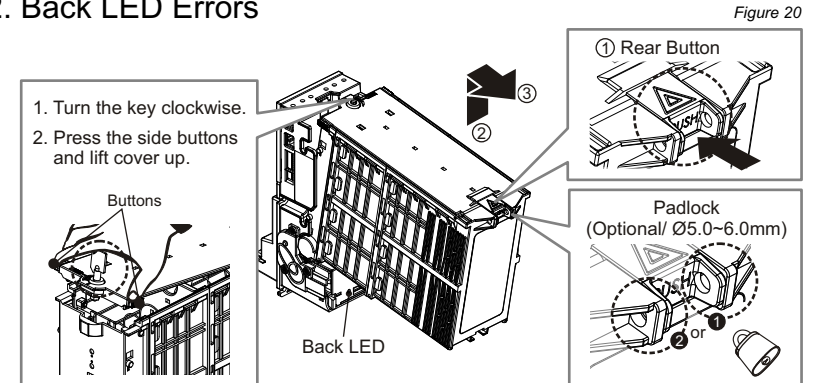


Figure 20

Table 3

LED Flashes	Status	Corrective Actions
1	Bill jammed.	Remove the bill box by pushing the rear button and the bill path unit (as figure 20), and then remove the jammed bill.
3	Recognition sensor error.	Inspect for foreign objects on sensor or bill path and clean.
3-2	Hook sensor error.	Inspect for foreign objects on security hook and clean.
3-4	Out sensor error.	Inspect for foreign objects on sensor or bill path and clean.
2	Disable	Inspect for right DIP switch setting.
4	Anti-string sensor error or a stringing attempt has detected.	Inspect for foreign objects on sensor or bill path and clean.
5	Bill box has been removed.	Replace the bill box.
6	Stacker error or stacker full.	Empty the bill box.
7	Motor error.	Inspect for foreign objects on bill path and clean.



If the error can not be solved after corrective actions or happen again, please contact ICT for technical support.



International Currency Technologies Corporation

Ji-Hong Building, No 24, Alley 38, Lane 91, Nei-hu Rd., Sec. 1, Taipei, Taiwan, R.O.C.

Tel: 886-2-2797-1238 · Fax: 886-2-2797-1634

sales@ictgroup.com.tw (For Sales) · rma@ictgroup.com.tw (For Customer Service)

Website: www.ictgroup.com.tw